

The SwitchSpeed™ Controller offers all of the standard functions that you've come to expect from a traditional switchbox, but that is where the similarities stop. AccuAir's proprietary Advanced Burst-Control-Technology™ allows you to choose between three different modes of adjustment; Precise / Moderate / Full Speed. The burst speeds for each of these modes are user-tunable to achieve improved precision from even the largest valves on the market. Although the SwitchSpeed™ does not offer preset heights like the e-Level™ controller; it can easily be upgraded to the e-Level™ system down the road.

Features:

- **Manual Control** of each individual air spring along with front / rear paired adjustments.
- **3 User-Programmable Valve Adjustment Speeds**
Precise / Moderate / Full. ***INDUSTRY FIRST***
- **Advanced Burst-Control Technology™** precise control over any valve. ***INDUSTRY FIRST***
- **Optional Air Compressor / Air Tank Pressure Management Upgrade** gives you three optional tank pressures (150 /175 / 200 psi) for more reliable air compressor management. It also monitors vehicle voltage and automatically turns the compressor(s) OFF at 10.5 volts to prevent a dead battery. ***INDUSTRY FIRST***
- **"All-Down" Function** can be programmed as a momentary "pancake" or as a timer-based all-down function.
- **100% Weather Tolerant** for under vehicle mounting.
- **Plug-n-Play** wiring harnesses for ease of installation.
- **Each System is 100% Factory Tested.**

SwitchSpeed™ Finish Options:



Black Anodize



SwitchSpeed™:

Handheld or mountable, the SwitchSpeed™ Controller is available in black-anodized or nickel-plated aluminum and gives full manual control over each air spring individually as well as front and rear air spring control in “pairs”. Saving and accessing your three preset speeds is only a touch away and a yellow glowing ring around each button clearly indicates the current valve speed. The “All-Down” button fully deflates the vehicle for parking at your currently selected speed. Every button on the SwitchSpeed™ Controller offers a “crisp” tactile feel and is backlit with crystal white LED’s for clear daytime and nighttime operation. A 20-ft mini-USB cable provides communication to the ECU and plugs into the controller in either the bottom or the rear. The SwitchSpeed™ Controller comes with a built-in compressor control feature that is enabled once the optional tank pressure sensor is plugged in.

All wiring harnesses are color-coded and Plug-n-Play for quick and error-free installation.

Optional Accessories Pictures:

0-200 psi Electronic Tank Pressure Sensor (Optional)

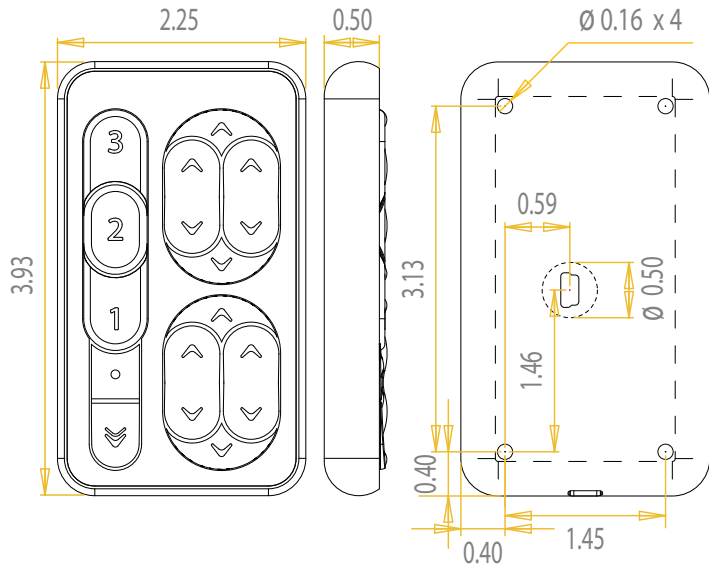


Kit Includes:	Qty	PN
SwitchSpeed™ Electronic Control Unit (ECU) with plug'n'play harnesses and Built-in Fuses	1	AA-SS-ECU
SwitchSpeed™ Controller (Electroless Nickel Finish) w/ 20 ft USB Cable OR	1	AA-SS-EN
SwitchSpeed™ Controller (Black Anodize Finish) w/ 20 ft USB Cable		AA-SS-BA
0-200 psi Tank Pressure Sensor (Optional)	1	AA-PSENS-200
Stainless Steel Mounting Hardware Package	1	AA-HW-EC-SS
Illustrated Installation & Operation Manuals	1	AA-INST-SS

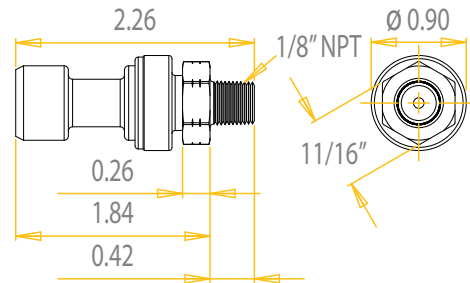
Optional Accessories Items:	Qty	PN
0-200 psi Tank Pressure Sensor (Optional)	1	AA-PSENS-200

Technical Specifications:	
Compatible Suspension Type	4-Corner Full Air Suspension (any brand, any vehicle)
No. of Savable Heights	NONE
Voltage Requirements	9.5-16 Volts
Current Requirements	15 Amps (Max)
Valve Output	(8) 12-volt solenoid valves up to 3 Amps each (any brand)
Compressor Output	3-Amps Max
Tank Pressure Range	0-200 psi (user adjustable)
Connectors	IP67 certified (immersion up to 3 ft)
SwitchSpeed™ Connector	USB – Mini B

Dimensions In Inches (Not To Scale) SwitchSpeed™ CONTROLLER



Dimensions In Inches (Not To Scale) TANK PRESSURE SENSOR



Dimensions In Inches (Not To Scale)

ECU

