

ENDO-CVT™

AccuAir's patent pending ENDO-CVT™ takes streamlined appearance and ease of installation to an entirely new level by integrating the industry's first air compressor within the air tank as well as integrating the air spring solenoid valves directly into the air tank end caps themselves. Yet, the ENDO-CVT™ is far more than just components moved inside the air tank (which only consume 0.5 gallons of volume)... AccuAir partnered with WABCO to bring the quietest, most efficient, and moisture free air compressor that the market has ever seen. This single compressor does the work of two industry standard units at 200 psi. The ENDO-CVT™ also represents AccuAir's next generation of solenoid valve technology that includes VFC™ (variable flow control) in addition to D.O.T. approved fully filtered and rebuild-able FFPTC™ (fully-filtered push-to-connect) fittings.

FEATURES



Internal Wabco™ Compressor

The internal WABCO™ compressor refills the tank with completely dry air at a rate twice as fast as the current market standard compressor.



Digital Intelligence

Internal ECU monitors tank pressure, compressor head temperature, and ambient moisture levels to optimize compressor operation, provide maximum duty cycle, as well as regenerate the built-in desiccant air dryer as required.



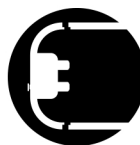
Dual Stage Isolation

The patent pending primary and secondary isolation system that softly suspends the compressor inside the tank, eliminating compressor vibrations from being transmitted into the vehicle's body or chassis.



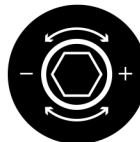
4-Corner & 2-Corner

Available in 4-corner and 2-corner configurations.



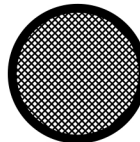
Valve-Integrated Tank Caps

Includes the solenoid valves and air tank all in one easy to mount package.



Adjustable Flow Control

Built-in VFC™ (variable flow control) adjusters allow for end user adjustment of the speed of each corner and each direction individually.



Filtered Ports

FFPTC™ (fully-filtered-push-to-connect) air fittings eliminate the risk of debris-induced valve problems common with all other solenoid valves on the market.



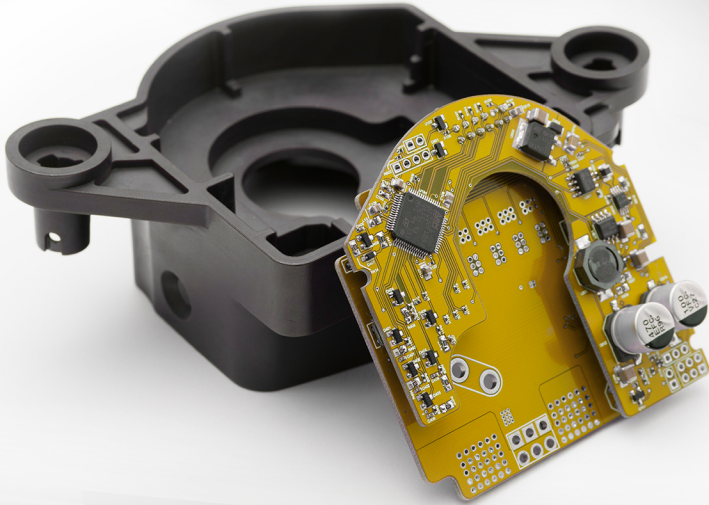
DOT PTC Fittings

Built-in D.O.T. approved and rebuild-able Push-To-Connect fittings.

ENDO-CVT™ DATA SHEET

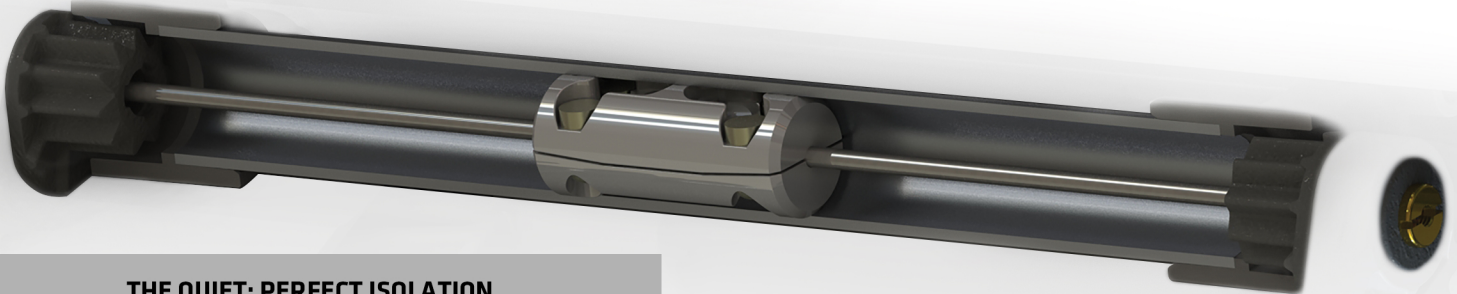
THE MUSCLE: WABCO™ COMPRESSOR

AccuAir has partnered with leading OE manufacturer WABCO to bring a single compressor that will refill at twice the speed of current market standard units, outputting completely dry air to prevent moisture from causing frozen air supply systems.



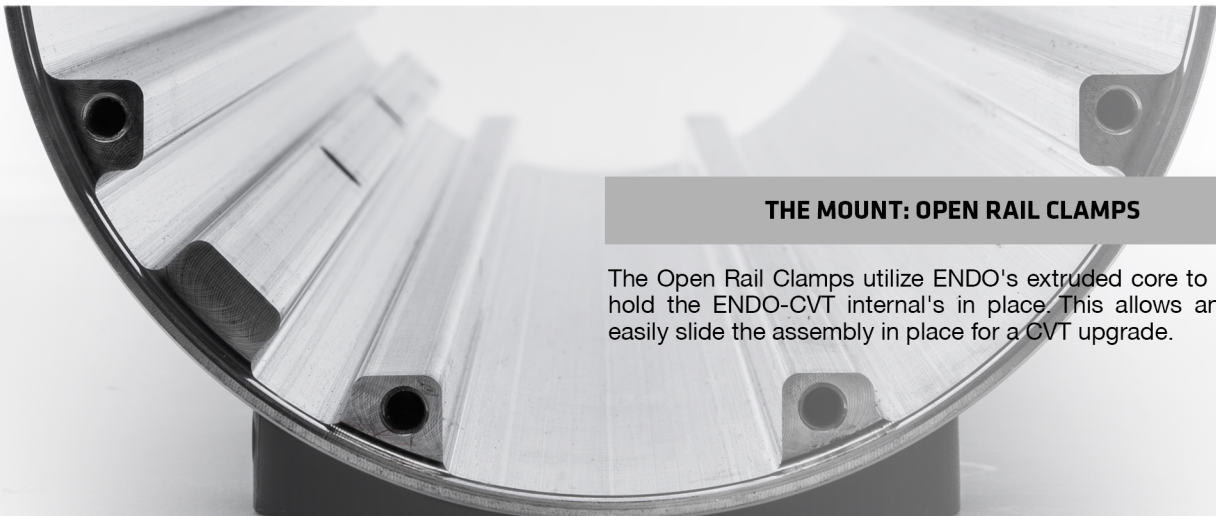
THE BRAINS: SENSORS AND CONTROLLER

The digital intelligence found in ENDO-CVT comes from AccuAir's compressor mounted controller. This technology monitors tank pressure, compressor head temperature, and ambient moisture levels to optimize compressor operation, provide maximum duty cycle, as well as regenerate the built-in desiccant air dryer as required. It also replaces the need for an external compressor relay and includes a "soft start" and "soft stop" feature to yield unnoticeable compressor operation.



THE QUIET: PERFECT ISOLATION

ENDO-CVT's near silent operation is possible due to a patent pending primary and secondary isolation system that softly suspends the compressor inside the tank body. This feature eliminates unwanted compressor vibrations from being transmitted into the vehicle's body or chassis.



THE MOUNT: OPEN RAIL CLAMPS

The Open Rail Clamps utilize ENDO's extruded core to securely hold the ENDO-CVT internal's in place. This allows anyone to easily slide the assembly in place for a CVT upgrade.

ENDO-CVT™ DATA SHEET

PHYSICAL SPECIFICATIONS

PRODUCT	DIAMETER	LENGTH	AIR SPRING PORTS	WEIGHT
ENDO-CVT23	6.62in (168mm)	18.3in (465mm)	2	28 lbs
ENDO-CVT25	6.62in (168mm)	29.3in (745mm)	2	32 lbs
ENDO-CVT43	6.62in (168mm)	18.4in (468mm)	4	30 lbs
ENDO-CVT45	6.62in (168mm)	29.5in (750mm)	4	36 lbs

TORQUE SPECIFICATIONS

FASTENER	TORQUE
QUICK RELEASE (QR) PINS	40 in-lbs (3.3 ft-lbs, 4.5 N-m)
QUICK RELEASE BASE MOUNTING BOLTS	120 in-lbs (10.0 ft-lbs, 13.5 N-m)
QUICK RELEASE SET SCREW	40 in-lbs (3.3 ft-lbs, 4.5 N-m)
ENDO CAP BOLTS	200 in-lbs (16.7 ft-lbs, 22.6 N-m)

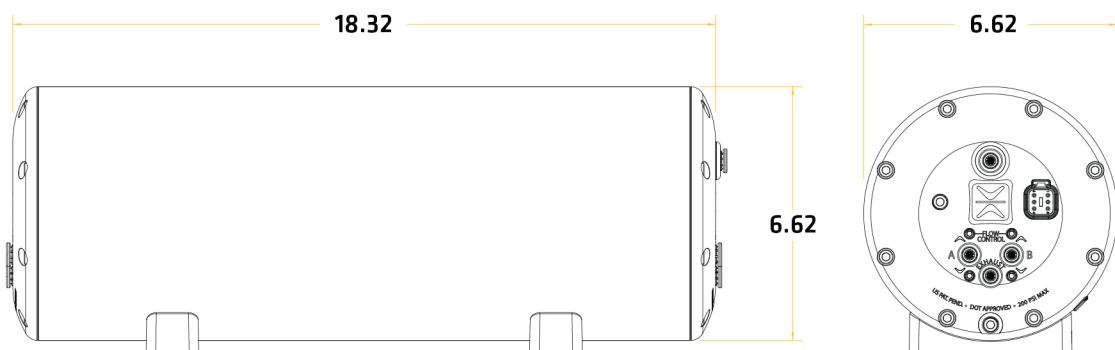
ELECTRICAL SPECIFICATIONS

COMPONENT	VOLTAGE REQUIREMENT	AMPERAGE REQUIREMENT	QUIESCENT CURRENT	INGRESS PROTECTION
CVT	9-16V 0-20V (Withstand)	35.0 AMPS (Typical) 50.0 AMPS (Max)	0.075 A (first 24 hours) 0.008 A (after 24 hours)	IP67

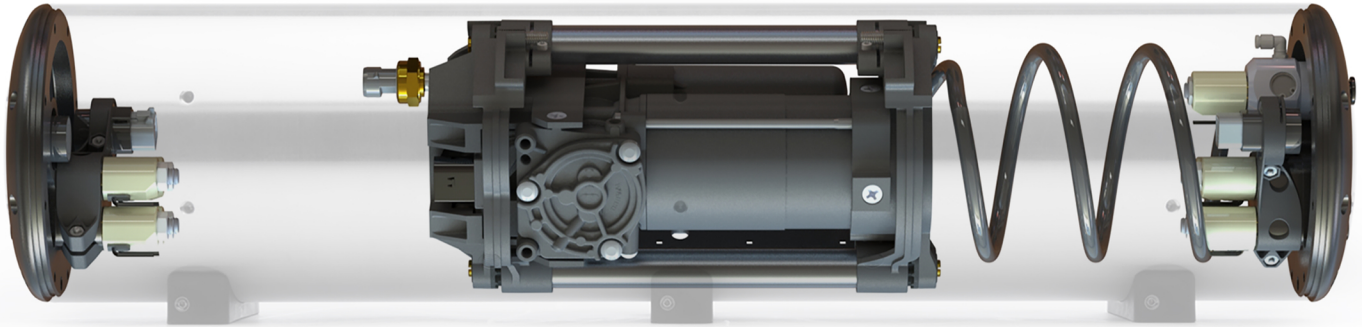
DIMENSIONS IN INCHES (NOT TO SCALE) 5-GALLON ENDO-CVT™



DIMENSIONS IN INCHES (NOT TO SCALE) 3-GALLON ENDO-CVT™



ENDO-CVT™ DATA SHEET



▲ NOTE: The CVT's AutoMax™ technology maximizes the duty cycle for the environmental conditions.

▲ NOTE: Average performance data collected from new CVTs at ambient temperature of 70F (21C) and 13.8 V supply voltage.

ENDO-CVT™ 45 PERFORMANCE DATA*

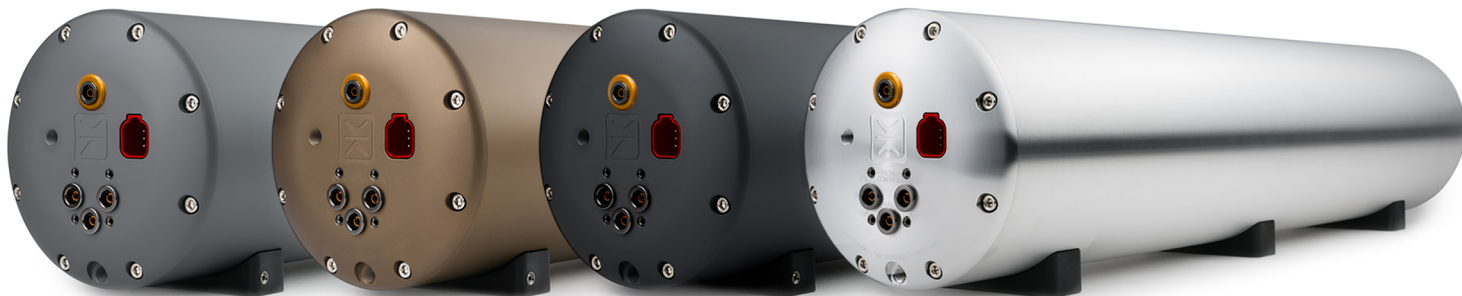
CVT45	PSI		BAR		AMPS (Compressor)
Flow Rate @ Zero	0	1.38 CFM	0	39 LPM	23 A
Flow Rate @ Turn On Pressure	160	0.95 CFM	11	27 LPM	31 A
Flow Rate @ Max Pressure	200	0.85 CFM	13.8	24 LPM	32 A
Initial Fill Time	0-200	5 min. 32 sec.	0-13.8	5 min. 32 sec.	
Refill Time	160-200	1 min. 20 sec.	11-13.8	1 min. 20 sec.	
# of consecutive refills to 95C shutoff	160-200	10 refills	11-13.8	10 refills	
# of consecutive refills to 105C shutoff	160-200	13 refills	11-13.8	13 refills	

ENDO-CVT™ 43 PERFORMANCE DATA*

CVT43	PSI		BAR		AMPS (Compressor)
Flow Rate @ Zero	0	1.38 CFM	0	39 LPM	23 A
Flow Rate @ Turn On Pressure	160	0.95 CFM	11	27 LPM	31 A
Flow Rate @ Max Pressure	200	0.85 CFM	13.8	24 LPM	32 A
Initial Fill Time	0-200	2 min. 55 sec.	0-13.8	2 min. 55 sec.	
Refill Time	160-200	39 sec.	11-13.8	39 sec.	
# of consecutive refills to 95C shutoff	160-200	18 refills	11-13.8	18 refills	
# of consecutive refills to 105C shutoff	160-200	22 refills	11-13.8	22 refills	

ENDO-CVT™ DATA SHEET

AVAILABLE FINISHES



GRAY CERAKOTE

BRONZE CERAKOTE

BLACK CERAKOTE

RAW FINISH

CVT™ CONTROL AND POWER HARNESS

